

H

JACKS

THE **DBJ-SERIES** BOTTLE JACKS ARE A PREMIUM RANGE IDEALLY SUITED TO MOST INDUSTRIAL LIFTING AND PUSHING APPLICATIONS.

Models from 10-20 ton feature an additional screw extension and most can be used in both the vertical and horizontal positions. Spare parts and seal kits are available for all jacks.



DBJ-20A MODEL

also includes a fast motion air pump for greater actuation and comes complete with a 3 piece saddle set (16, 45, 80 mm saddle heights)

Model Number	Operation	Capacity (ton)	Stroke (mm)	A Collapsed Height (mm)	B Extended Height (mm)
DBJ-10	Manual	10	147	240	387
DBJ-10S	Manual		95	170	265
DBJ-20	Manual	20	152	265	417
DBJ-20S	Manual		85	187	272
DBJ-20A	Air/Manual		150	235	385
DBJ-30	Manual	30	155	282	437
DBJ-30S	Manual		80	182	262
DBJ-50	Manual	50	155	305	460

EASE OF USE

all jacks have been designed for ease of use and handling

OPERATING HANDLE

included with all models

CARBON STEEL BASE

is automatically welded to ensure increased resistance to high pressure and provide greater durability



CHROME PLATED

steel piston rod resists corrosion and extends life

INTERNAL STROKE LIMITER

prevents piston rod over-extension

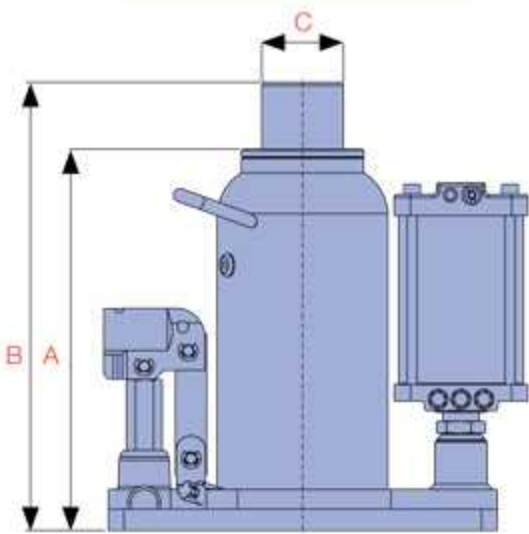
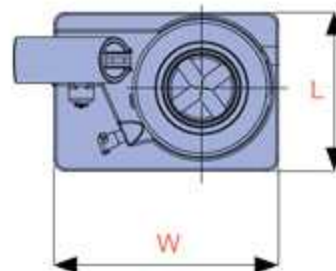
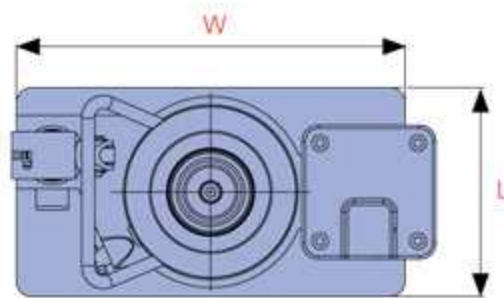


CAPACITY

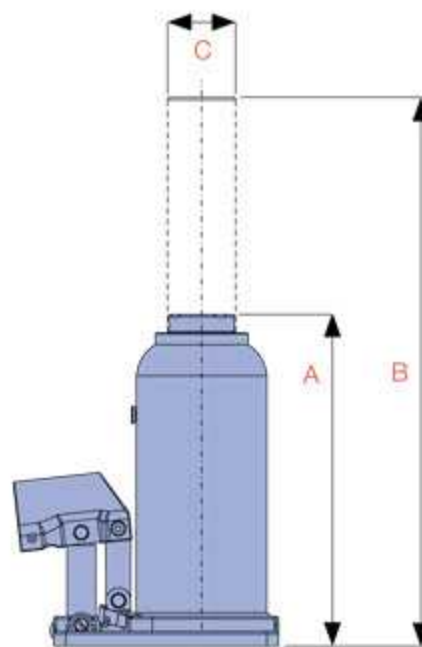
10 - 50 ton

STROKE

80 - 155 mm

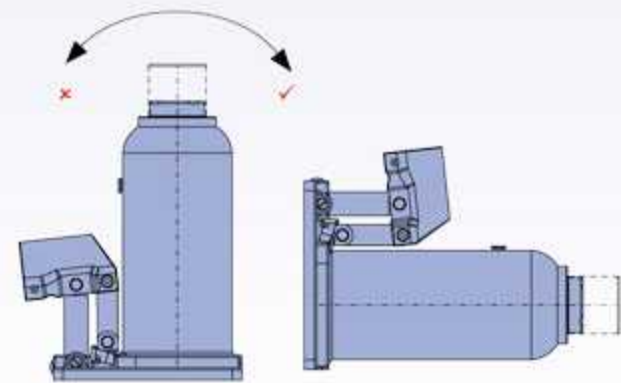


DBJ-20A



HORIZONTAL OPERATION

10 and 20 ton models except DBJ-20A can be operated horizontally. Hydraulic stroke will be reduced to approximately 2/3.



C Piston Rod Diameter (mm)	Base Dimensions L x W (mm)	Screw Extension & Saddle Set Auxiliary Height (mm)	Air Pressure Range (kgf/cm ²)	Weight (kg)	Model Number
42	105 x 166	85	-	8.2	DBJ-10
42	105 x 166	55	-	6.4	DBJ-10S
55	128 x 181	85	-	13.3	DBJ-20
55	128 x 181	55	-	10.0	DBJ-20S
50	128 x 238	16, 45, 80	8-12	14.5	DBJ-20A
62	142 x 197	-	-	19.6	DBJ-30
62	142 x 197	-	-	13.8	DBJ-30S
85	200 x 260	-	-	42.3	DBJ-50